

PRODUCT NUMBER

75867-YXXLF

WHEN REQUIRED, ADD SUFFIX LETTER "LF" INDICATES THE PRODUCT IS RoHS COMPATIBLE, SEE NOTE 5

PIN STYLE, SEE SHEET 2

PLATING SEE SHEET 2

NOTES:

- 1 - HOUSING MAT'L : GLASS FILLED THERMOPLASTIC. UL94V-0 COLOR: BLUE
- 2 - PIN MATERIAL : PHOSPHOR BRONZE
- 3 - PRODUCT PACKAGED IN TUBES.
- 4 - TO DETERMINE DIMENSIONS :  
N = NUMBER OF POSITIONS PER ROW  
EXAMPLE : 8 POS N x 2.54 = 20.32mm
- 5 - RoHS COMPATIBLE PRODUCT SPECIFICATIONS

a - PLATING:

- "LF" MEANS THE PRODUCT IS LEAD-FREE, 2µm MINIMUM MATTE TIN OVER 1.27µm MINIMUM NICKEL UNDERPLATE.

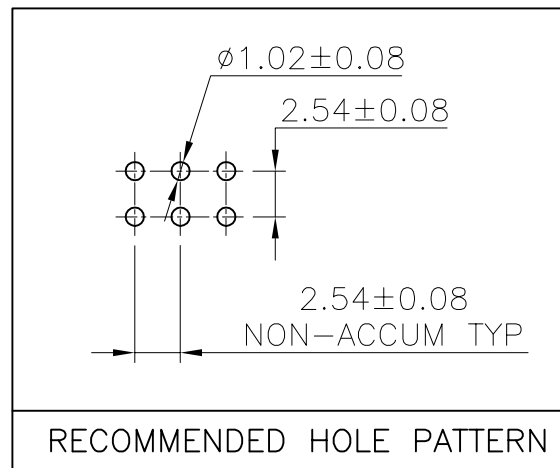
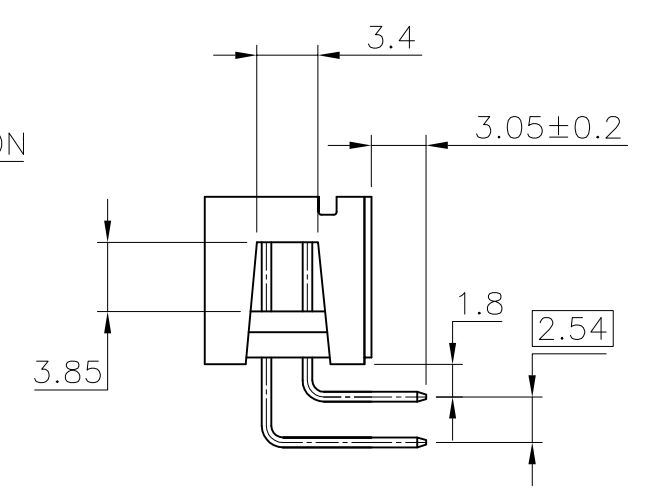
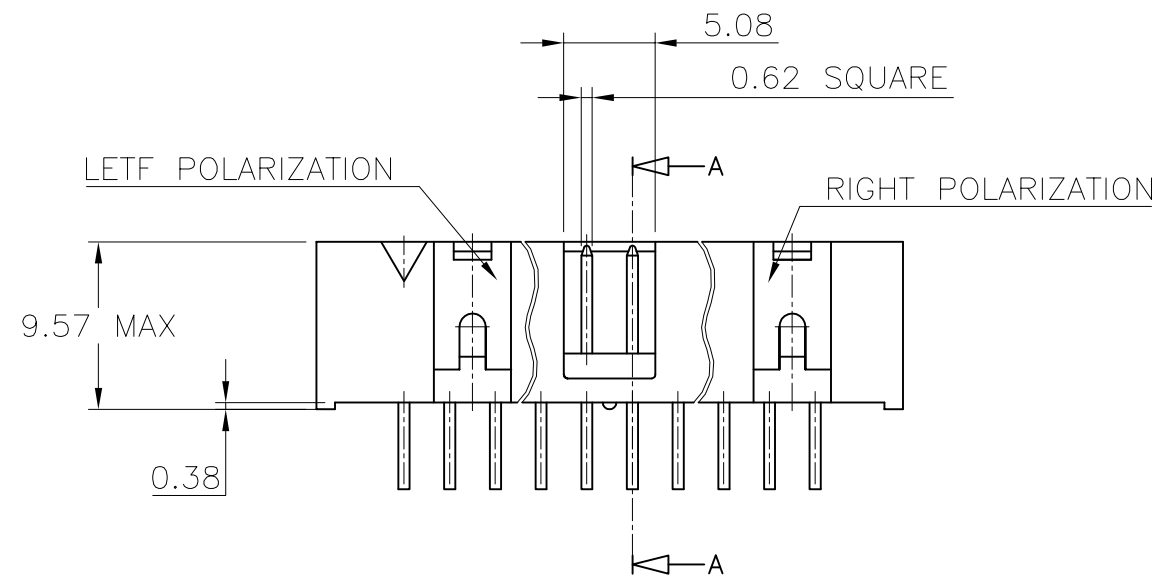
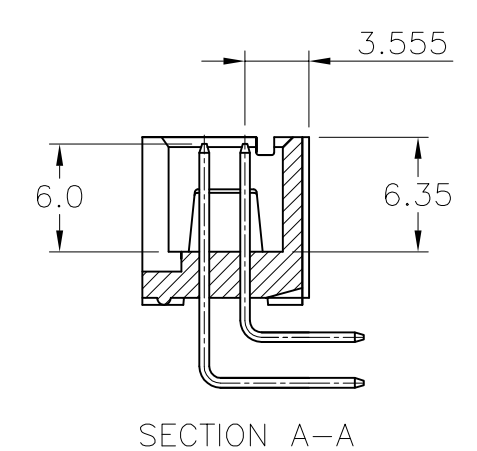
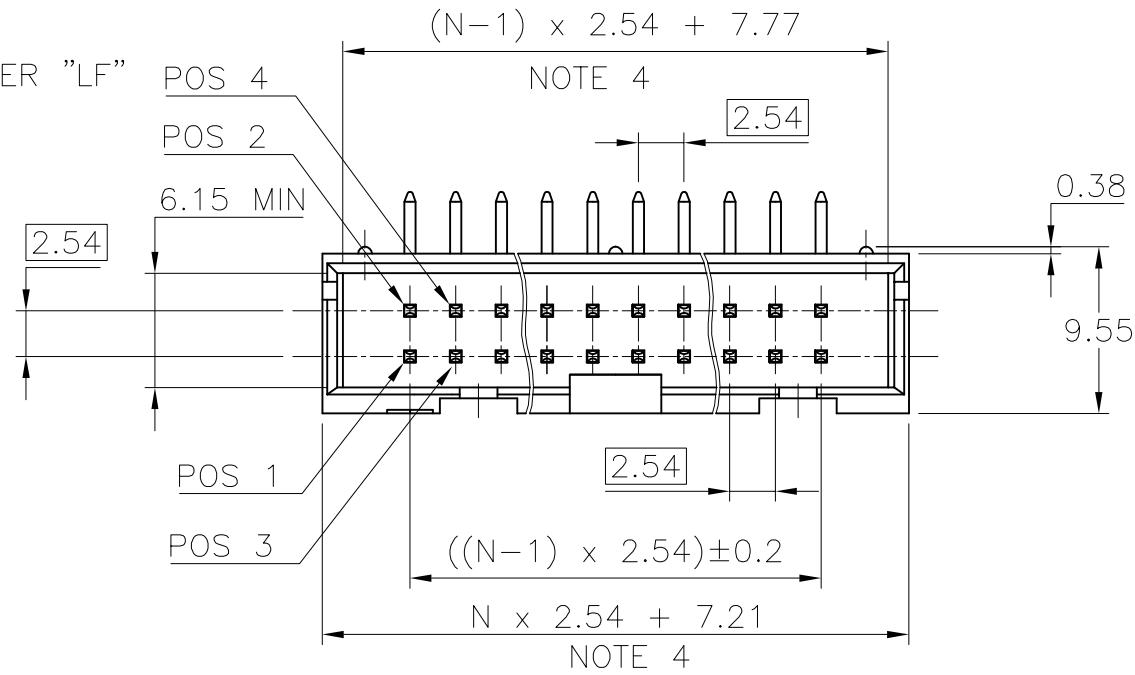
b - MANUFACTURING PROCESS COMPATIBILITY

- THE HOUSING WILL WITHSTAND EXPOSURE TO 260°C ±5°C SOLDER BATH TEMPERATURE FOR 5 SECONDS IN A WAVE SOLDER APPLICATION WITH A 1.6mm MIN THICK CIRCUIT BOARD.

c - LABELLING:

- MEETS PACKAGING SPECS AS PER GS-14-920

d - LEGAL STATEMENT: SEE GS-22-008



|                          |                |     |          |                                       |                               |             |                                     |
|--------------------------|----------------|-----|----------|---------------------------------------|-------------------------------|-------------|-------------------------------------|
| mat'l. code<br>SEE NOTES |                |     |          | surface<br>ISO 1302                   | tolerance<br>ISO 406 ISO 1101 | projection  | product family<br>QUICKIE           |
| ltr                      | ecn no         | dr  | date     | tolerances unless otherwise specified |                               | mm          | title<br>SHR.LP.HEADER<br>RA DR TMT |
| AJ                       | F06-0335       | LMU | 06.12.08 | angles                                | .X ±0.3                       |             |                                     |
| AK                       | F07-0198       | LMU | 07.05.30 | linear                                | .XX ±0.13                     |             |                                     |
| AL                       | F08-0146       | YOV | 08.04.11 |                                       | .XXX ±0.05                    | scale 2.5:1 |                                     |
| AF                       | F04-0389       | JCO | 04.12.22 | dr                                    | D.LE 01.01.24                 | FCJ         | dwg no<br>75867                     |
| AG                       | F06-0229       | LMU | 06.07.18 | enr                                   | JM.C 01.01.24                 |             | sheet 1 of 2                        |
| AH                       | F06-0311       | LMU | 06.10.26 | chr                                   | JF.N 01.01.24                 |             | size<br>A3                          |
|                          |                |     |          | appd                                  | JM.C 01.01.24                 |             | type<br>CUSTOMER Drawing            |
| sheet index              | revision sheet | AL  | AH       |                                       |                               |             |                                     |
|                          |                | 1   | 2        |                                       |                               |             |                                     |

1

2 3

4

5

6

CORE RANGE

| PIN STYLE | Nbr OF POSITIONS | LEFT POLARIZATION | RIGHT POLARIZATION |
|-----------|------------------|-------------------|--------------------|
| 30        | 2 x 2            | NO                | NO                 |
| 31        | 2 x 3            | NO                | NO                 |
| 32        | 2 x 4            | NO                | NO                 |
| 01        | 2 x 5            | NO                | YES                |
| 02        | 2 x 7            | NO                | YES                |
| 03        | 2 x 8            | YES               | YES                |
| 04        | 2 x 10           | YES               | YES                |
| 05        | 2 x 13           | YES               | YES                |
| 33        | 2 x 15           | YES               | YES                |
| 06        | 2 x 17           | YES               | YES                |
| 07        | 2 x 20           | YES               | YES                |
| 08        | 2 x 25           | YES               | YES                |
| 09        | 2 x 30           | YES               | YES                |
| 10        | 2 x 32           | YES               | YES                |

PLATING :

1 = 0.76µm GOLD/GXT  
(PdNi WITH GOLD FLASH) ON CONTACT AREA  
3.81µm TIN-LEAD ON TAIL  
UNDERPLATE : 1.27µm Ni MIN

- WHEN SUFFIX LETTER "LF" IS REQUIRED,  
2µm MIN MATTE TIN OVER 1.27µm MIN  
NICKEL IS PROVIDED INSTEAD OF TIN-LEAD

CATALOGUE RANGE

| PIN STYLE | Nbr OF POSITIONS | LEFT POLARIZATION | RIGHT POLARIZATION |
|-----------|------------------|-------------------|--------------------|
| 30        | 2 x 2            | NO                | NO                 |
| 31        | 2 x 3            | NO                | NO                 |
| 32        | 2 x 4            | NO                | NO                 |
| 01        | 2 x 5            | NO                | YES                |
| 02        | 2 x 7            | NO                | YES                |
| 03        | 2 x 8            | YES               | YES                |
| 04        | 2 x 10           | YES               | YES                |
| 05        | 2 x 13           | YES               | YES                |
| 33        | 2 x 15           | YES               | YES                |
| 06        | 2 x 17           | YES               | YES                |
| 07        | 2 x 20           | YES               | YES                |
| 08        | 2 x 25           | YES               | YES                |
| 09        | 2 x 30           | YES               | YES                |
| 10        | 2 x 32           | YES               | YES                |

PLATING :

2 = 3.81µm TIN LEAD FULL PLATED

3 = 0.38µm GOLD/GXT  
(PdNi WITH GOLD FLASH) ON CONTACT AREA  
3.81µm TIN-LEAD ON TAIL  
UNDERPLATE : 1.27µm Ni MIN

- WHEN SUFFIX LETTER "LF" IS REQUIRED,  
2µm MIN MATTE TIN OVER 1.27µm MIN  
NICKEL IS PROVIDED INSTEAD OF TIN-LEAD

APLLICATION SPECIFIC

| PIN STYLE | Nbr OF POSITIONS | LEFT POLARIZATION | RIGHT POLARIZATION | OMIT PIN |
|-----------|------------------|-------------------|--------------------|----------|
| 13        | 2 x 17           | YES               | YES                | 5        |
| 14        | 2 x 20           | YES               | YES                | 19       |
| 34        | 2 x 5            | NO                | YES                | 5        |
| 35        | 2 x 10           | YES               | YES                | 19       |
| 36        | 2 x 20           | YES               | YES                | 10       |
| 37        | 2 x 20           | YES               | YES                | 11       |
| 38        | 2 x 20           | YES               | YES                | 20       |

PLATING :

1 = 0.76µm GOLD/GXT  
(PdNi WITH GOLD FLASH) ON CONTACT AREA  
3.81µm TIN-LEAD ON TAIL

2 = 3.81µm TIN LEAD FULL PLATED

3 = 0.38µm GOLD/GXT  
(PdNi WITH GOLD FLASH) ON CONTACT AREA  
3.81µm TIN-LEAD ON TAIL  
UNDERPLATE : 1.27µm Ni MIN

- WHEN SUFFIX LETTER "LF" IS REQUIRED,  
2µm MIN MATTE TIN OVER 1.27µm MIN  
NICKEL IS PROVIDED INSTEAD OF TIN-LEAD



FCIconnect.com

Copyright FCI

|             |                |     |          |                                       |                               |                  |                                     |
|-------------|----------------|-----|----------|---------------------------------------|-------------------------------|------------------|-------------------------------------|
| mat'l. code |                |     |          | surface<br>ISO 1302                   | tolerance<br>ISO 406 ISO 1101 | projection<br>mm | product family<br>QUICKIE           |
| ltr         | ecn no         | dr  | date     | tolerances unless otherwise specified |                               | mm               | title<br>SHR.LP.HEADER<br>RA DR TMT |
| AB          | F00492         | LMU | 00.09.04 | angles                                | linear                        |                  |                                     |
| AC          | F10120         | DLE | 01.01.24 |                                       |                               | scale N/A        | dwg no<br>75867                     |
| AD          | F04-0147       | LMU | 04.02.26 |                                       |                               |                  |                                     |
| AE          | F04-0389       | JCO | 04.09.21 | dr                                    | D.LE                          | 01.01.24         | sheet 2 of - size<br>A3             |
| AF          | F06-0229       | AH  | 06.07.18 | enr                                   | JM.C                          | 01.01.24         |                                     |
| AG          | F07-0198       | LMU | 07.05.30 | chr                                   | JF.N                          | 01.01.24         | type<br>CUSTOMER Drawing            |
| AH          | F08-0146       | YOV | 08.04.11 | appd                                  | JM.C                          | 01.01.24         |                                     |
| sheet index | revision sheet |     |          |                                       |                               |                  |                                     |

1

2

3

4

5

6